

# PUMP PERFORMANCE CURVES

TYPE: **SUBMERSIBLE SAND/SLURRY  
AGITATOR PUMP**

MODEL: **150TBS9**

FREQUENCY: **50Hz**

## STANDARD SPECIFICATIONS

DISCHARGE BORE

150 mm

HEAD

Max: 21.5 m

Rated: 15 m

CAPACITY

Max: 3.20 m<sup>3</sup>/min

Rated: 1.67 m<sup>3</sup>/min

MOTOR OUTPUT

9 kW

PHASE x VOLTAGE

3 Øx 380 V

CURRENT

19.5 A

POLES/REVOLUTION

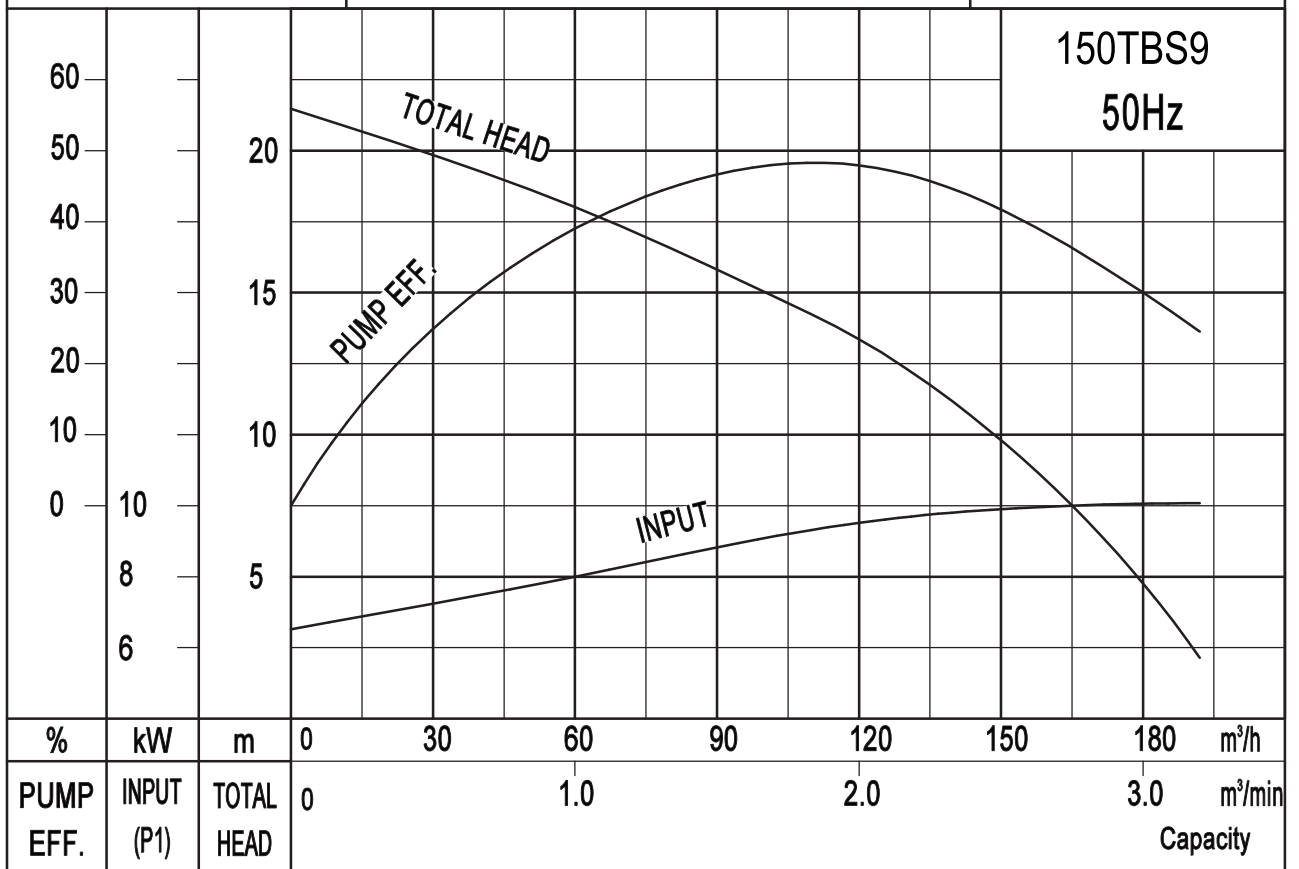
4 P/ S.S.1450 min<sup>-1</sup>

STARTING METHOD

Direct-on-line start

INSULATION CLASS

F

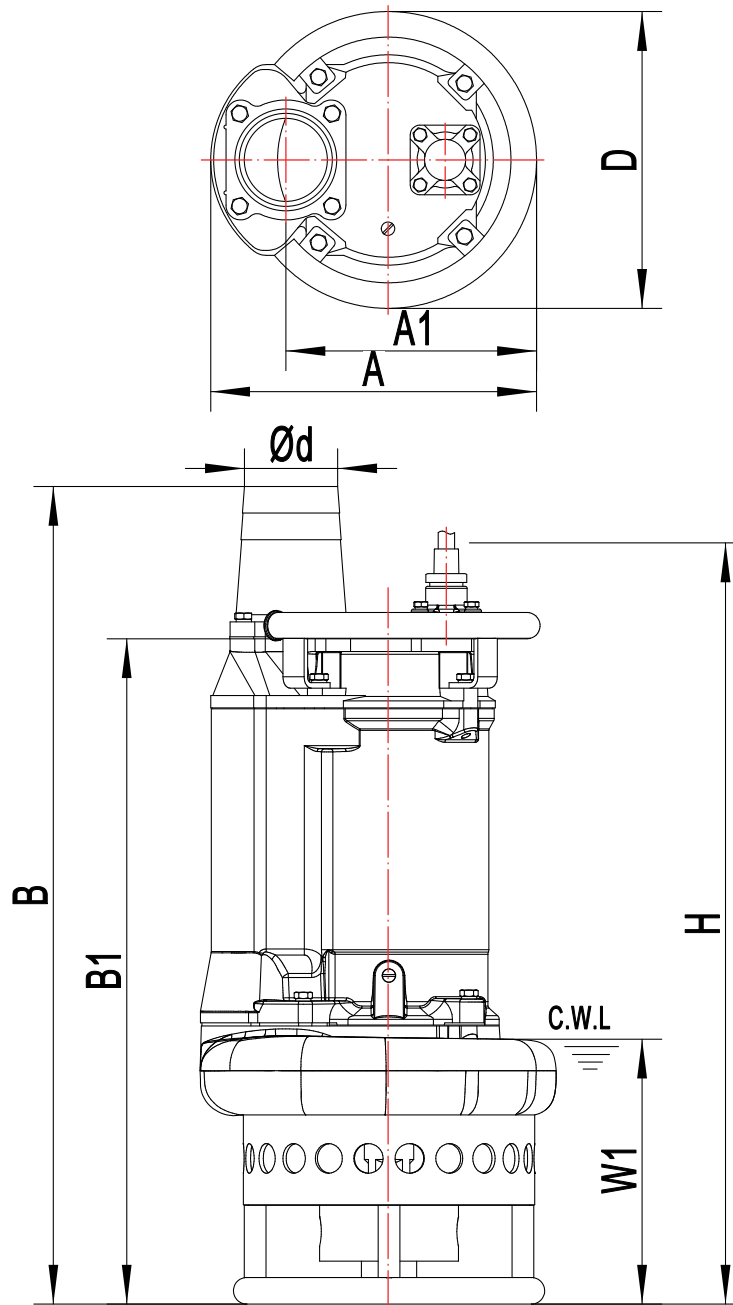


**SOLIDPUMP EUROPE SIA**

DIMENSION DRAWING

TYPE: **SUBMERSIBLE SAND/SLURRY AGITATOR PUMP**

MODEL: **150TBS9**



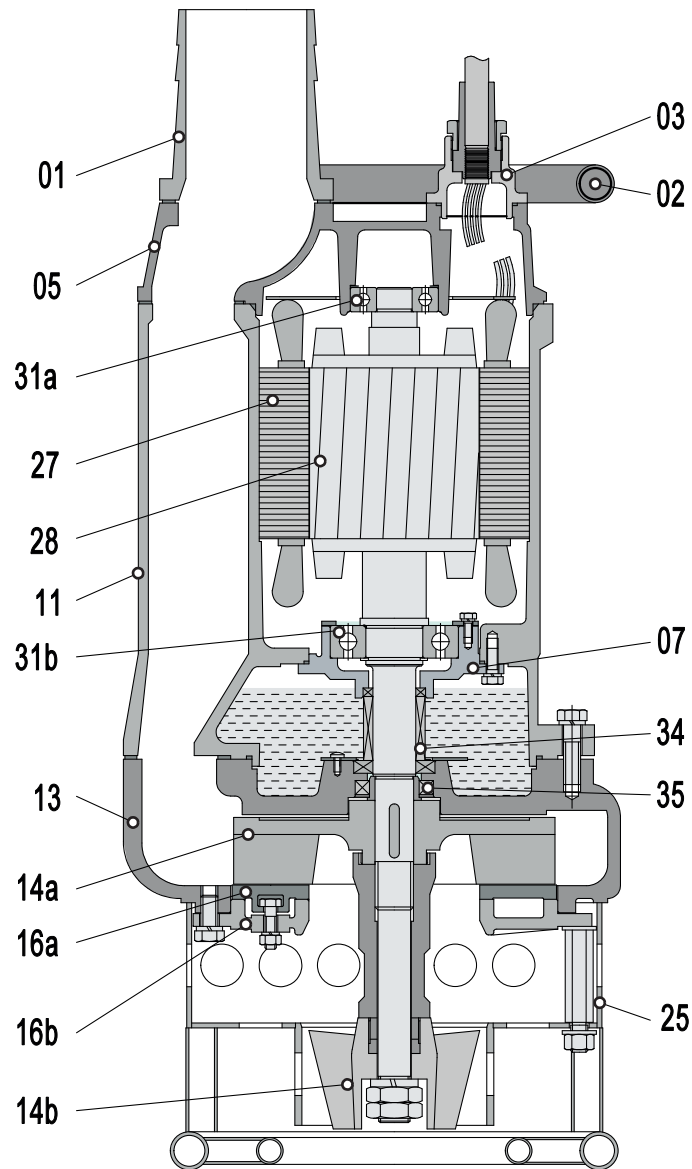
W1:Continuous running water level

| Model<br>(50Hz) | d<br>mm | A<br>mm | A1<br>mm | B<br>mm | B1<br>mm | D<br>mm | H<br>mm | W1<br>mm | N.W<br>Kg |
|-----------------|---------|---------|----------|---------|----------|---------|---------|----------|-----------|
| 80TBS4          | 80      | 350     | 260      | 816     | 678      | 326     | 730     | 250      | 108.5     |
| 100TBS6         | 100     | 415     | 305      | 844     | 682      | 373     | 730     | 250      | 141       |
| • 150TBS9       | 150     | 434     | 324      | 889     | 727      | 407     | 776     | 250      | 171       |
| 200TBS15        | 200     | 484     | 352      | 1121    | 889      | 457     | 980     | 295      | 260       |
| 200TBS22        | 200     | 578     | 442      | 1245    | 1015     | 528     | 1200    | 330      | 408       |

# DIMENSION DRAWING

TYPE: **SUBMERSIBLE SAND/SLURRY AGITATOR PUMP**

MODEL: **150TBS9**



| Item No. | Part name     | Material          | Item No. | Part name       | Material   |
|----------|---------------|-------------------|----------|-----------------|--|
| 01       | Hose coupling | Cast iron         | 25       | Strainer        | Steel  |
| 02       | Handle        | Steel             | 27       | Stator          |  |
| 05       | Upper cover   | Cast iron         | 28       | Rotor           | Shaft:AISI420SS                                  |
| 07       | Bearing house | Cast iron         | 31a      | Bearing         | Ball bearing                                     |
| 11       | Motor body    | Cast iron         | 31b      | Bearing         | Ball bearing                                     |
| 13       | Pump body     | Cast iron         | 34       | Mechanical seal | Sic-Sic/Sic-Sic<br>Tc-Sic/Sic-Sic( $\geq 15kW$ ) |
| 14a      | Impeller      | High chrome alloy | 35       | Oil seal        |  |
| 14b      | Agitator      | High chrome alloy | 47       | Cable           |  |
| 16a      | Inlet plate   | High chrome alloy |          |                 |  |
| 16b      | Inlet plate   | Cast iron         |          |                 |  |

*Specifications can be changed without notice*

## Solidpump Europe SIA

Uriekstes iela 14a  
Rīga, LV-1005  
LATVIA

Tel.: + 371 66164228  
E-mail: info@solidpump.com  
www.solidpump.com

**SOLIDPUMP EUROPE SIA**